

# Internal Tag Reader

RINS1495-3



EN50131-3:2009  
EN50131-1:2006 + A1:2009  
PD6662:2010  
Security Grade 3  
Environmental Class 2

Security Grading is Subject to the overall system

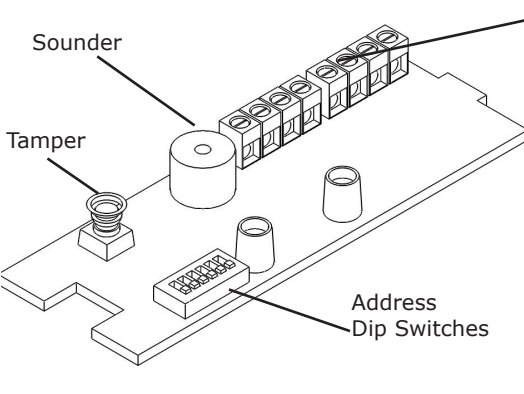
## Internal Tag Reader Symbols



	Alert LED
	Alarm LED
	Tamper LED

	Fault LED
	Unset LED

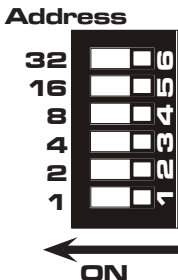
## The Printed Circuit Board



Terminals	Description
<b>D1-</b>	0V supply
<b>D2+</b>	+12V supply
<b>D3</b>	RS485 'A' Data
<b>D4</b>	RS485 'B' Data
-	0V supply/Common
+	+12V supply
<b>Zo1</b>	Input/Output
<b>Zo2</b>	Input/Output

## Address Dip Switches

To address the reader please use the table. 'ON' means dip switch to the LEFT (see below)



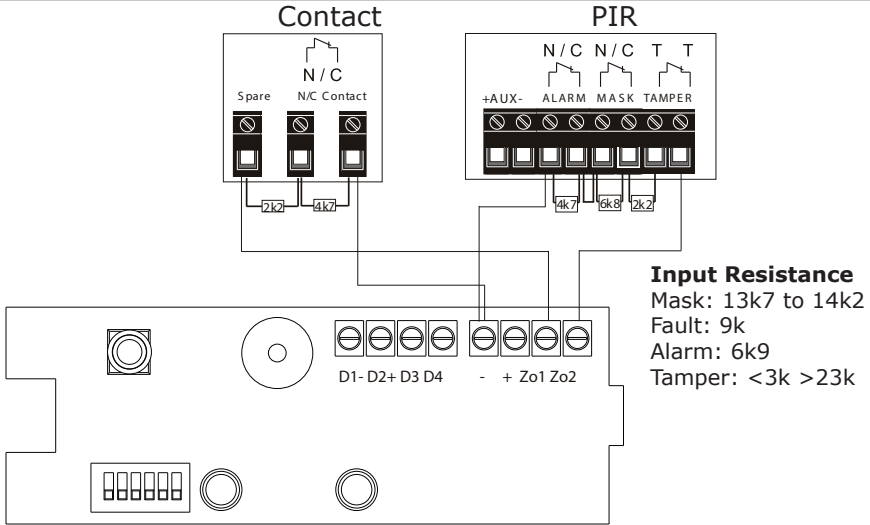
ADDRESS	SWITCH					
	1	2	4	8	16	32
1	ON	OFF	OFF	OFF	OFF	OFF
2	OFF	ON	OFF	OFF	OFF	OFF
3	ON	ON	OFF	OFF	OFF	OFF
4	OFF	OFF	ON	OFF	OFF	OFF
5	ON	OFF	ON	OFF	OFF	OFF
6	OFF	ON	ON	OFF	OFF	OFF
7	ON	ON	ON	OFF	OFF	OFF
8	OFF	OFF	OFF	ON	OFF	OFF
9	ON	OFF	OFF	ON	OFF	OFF
10	OFF	ON	OFF	ON	OFF	OFF
11	ON	ON	OFF	ON	OFF	OFF
12	OFF	OFF	ON	ON	OFF	OFF
13	ON	OFF	ON	ON	OFF	OFF
14	OFF	ON	ON	ON	OFF	OFF
15	ON	ON	ON	ON	OFF	OFF
16	OFF	OFF	OFF	OFF	ON	OFF

ADDRESS	SWITCH					
	1	2	4	8	16	32
17	ON	OFF	OFF	OFF	ON	OFF
18	OFF	ON	OFF	OFF	ON	OFF
19	ON	ON	OFF	OFF	ON	OFF
20	OFF	OFF	ON	OFF	ON	OFF
21	ON	OFF	ON	OFF	ON	OFF
22	OFF	ON	ON	OFF	ON	OFF
23	ON	ON	ON	OFF	ON	OFF
24	OFF	OFF	OFF	ON	ON	OFF
25	ON	OFF	OFF	ON	ON	OFF
26	OFF	ON	OFF	ON	ON	OFF
27	ON	ON	OFF	ON	ON	OFF
28	OFF	OFF	ON	ON	ON	OFF
29	ON	OFF	ON	ON	ON	OFF
30	OFF	ON	ON	ON	ON	OFF
31	ON	ON	ON	ON	ON	OFF
32	OFF	OFF	OFF	OFF	OFF	ON

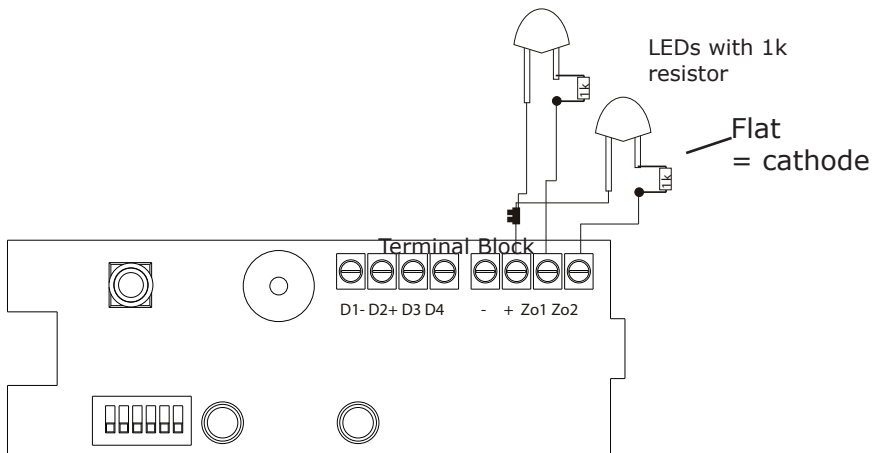
## Connection Information

There are two fully programmable open-collector outputs on the internal tag reader, these are shared with two inputs. The connections are as follows. Please note if you are using 2 inputs, then you can't use 2 outputs (and vice versa). Or if you use 1 input, you can use 1 output etc.

## Connecting Inputs



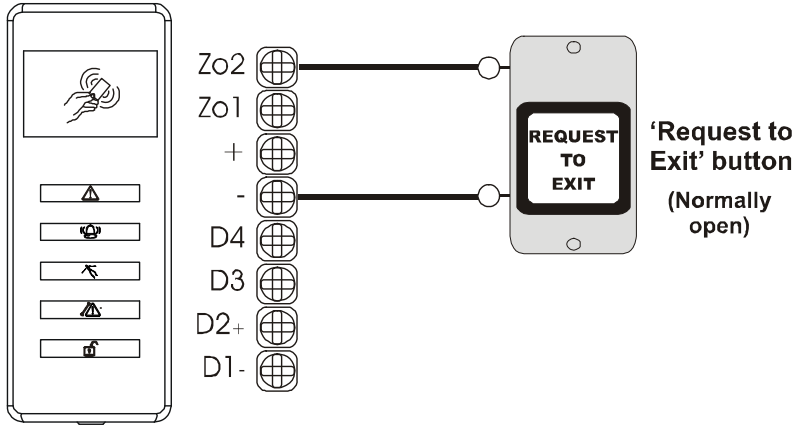
## Connecting Outputs



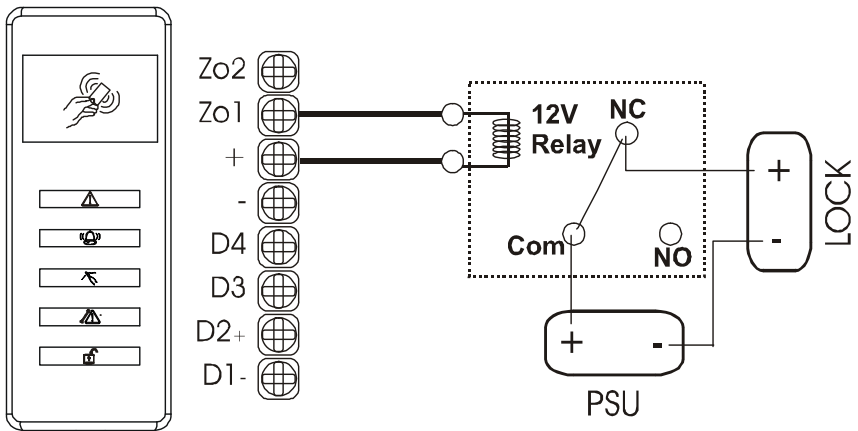
## Connecting a PTE button and a Mag Lock

The version 7 or above EURO control panels provide the facility to use the internal readers to lock and unlock doors.

### Connecting the Push to Exit button

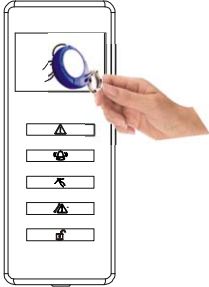
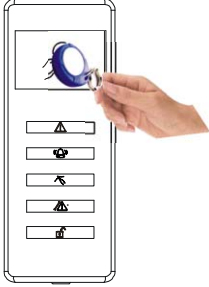


### Connecting the Mag lock control

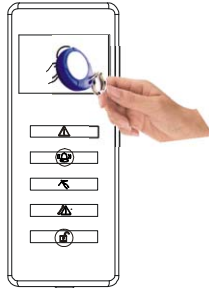
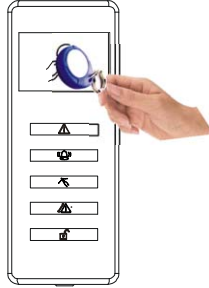


**NOTE: Access control falls outside the scope of EN 50131-1 and EN 50131-3.**

## Arming the Control Panel using the Internal prox reader (Entry Control)

Action	Visual	Sequence
<p>Present a valid tag to the reader and then remove it.</p>		<p>The door lock will open</p>
<p>Present the same tag to the reader within 10 seconds, and then remove it. The exit time will start on the control panel and the door will lock.</p>		<p>The system will set after the final door is closed/exit time expires.</p>

## Disarming the Control Panel using the Internal prox reader (Entry Control)

Action	Visual	Sequence
<p>Present a valid tag to the reader and then remove it.</p>		<p>The bell symbol will be illuminated if the system is set, or the unset symbol will be illuminated if the system is unset.</p>
<p>Present the same tag to the reader, and then remove it.</p>		<p>The doors will unlock and the system will be unset.</p>

## Technical Information

### Electrical

Supply Voltage	12Vdc Nominal (9-15 Volt DC Range)
Supply Voltage Ripple Rejection	10% of applied voltage (50 to 150Hz)
Supply Current	<30mA Quiescent. <90mA Maximum
Supply Protection	Reverse polarity protected
Inputs	0-20V, DEOL, SEOL
Shared Outputs	Switched negative 150mA (max)

### Environmental

Operational Temperature:	-10°C to +40°C
Storage Temperature:	-20°C to +60°C
Nominal Working Temp:	-20°C to +60°C

This product is sold subject to our standard warranty conditions and is warranted against the defects in workmanship for a period of 2 years

## Compliance

This product is suitable for use in systems designed to comply with PD6662:2010 at Security Grade 3 and Environmental Class 2.

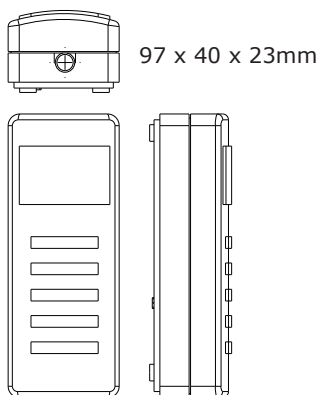


For electrical products sold within the European Community. At the end of the electrical products useful life, it should not be disposed of with household waste. Please recycle where facilities exist. Check with your Local Authority or retailer for recycling advice in your country.



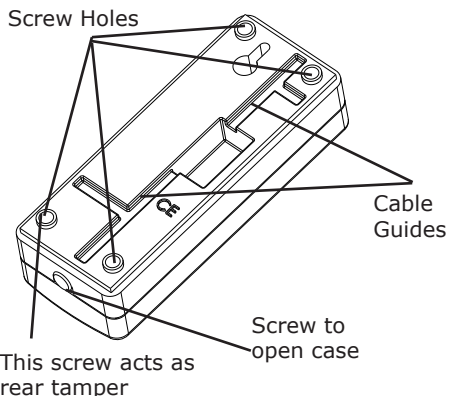
EN50131-3:2009  
EN50131-1:2006 + A1:2009  
PD6662:2010  
Security Grade 3  
Environmental Class 2

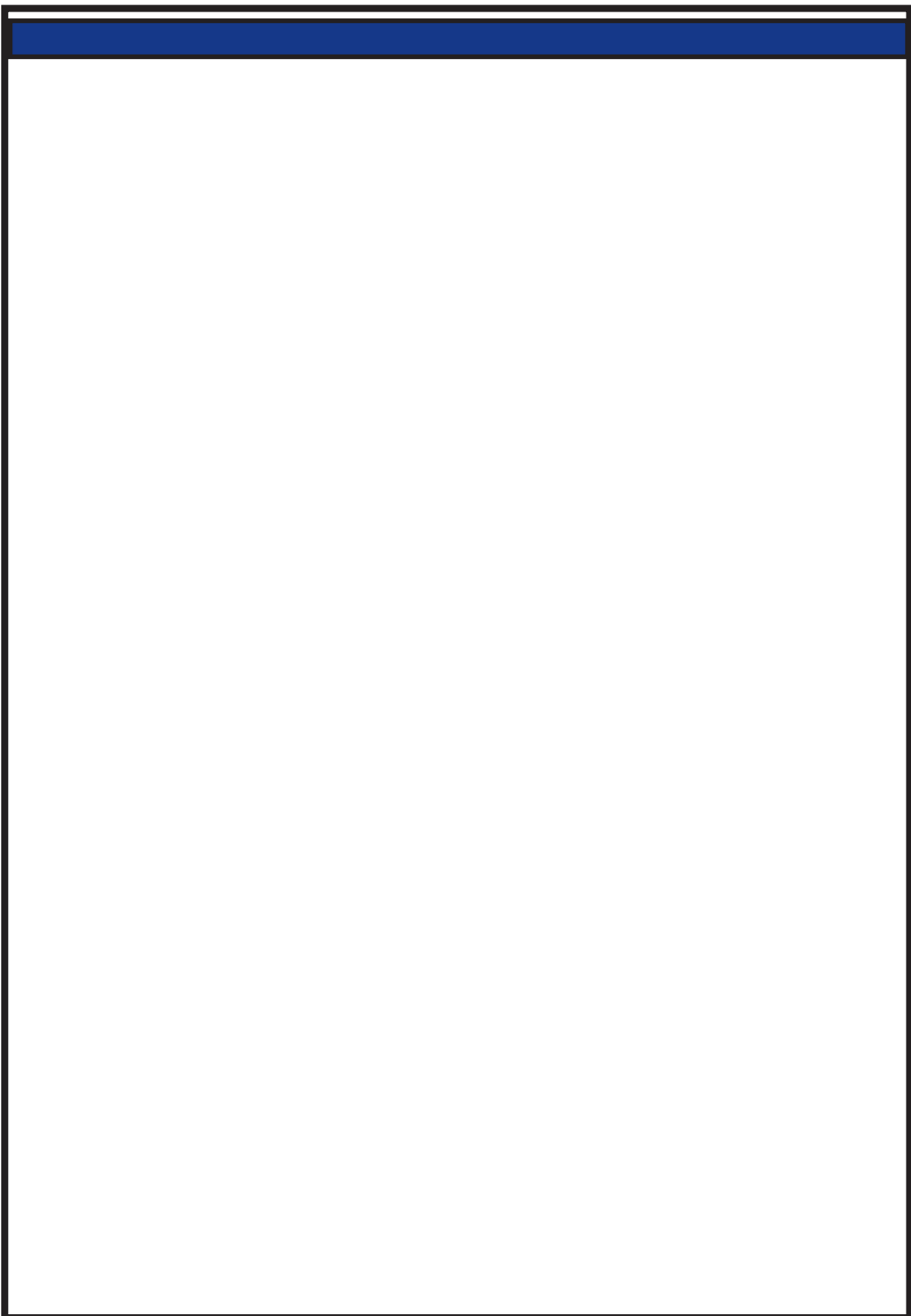
## Dimensions



## Guidelines

### **Back of Internal Tag Reader**





Customer Support Line  
0845 6434 999 (local rate)  
or call 01709 535225

Customer Support Opening Hours  
8.00am - 6.30pm  
Monday to Friday

[customer.support@pyronix.com](mailto:customer.support@pyronix.com)

[www.pyronix.com](http://www.pyronix.com)